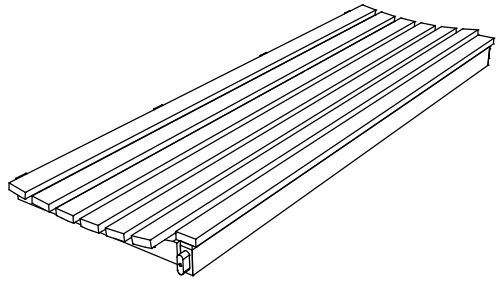


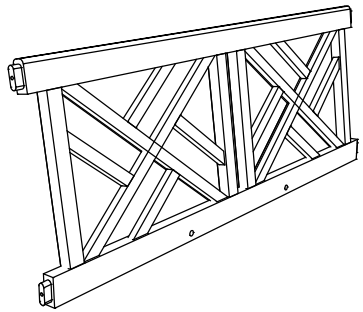
ASSEMBLY INSTRUCTION HOGGMAN KENSINGTON 150

A. Seater Frame



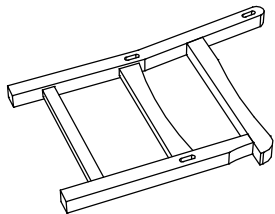
1Pc

B. Back rest



1Pc

C. Leg



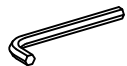
2Pcs

D. Bolt



6 Pcs

E. Key

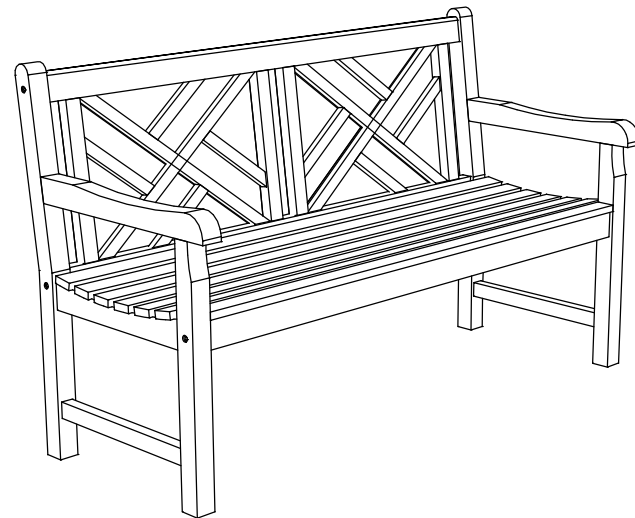
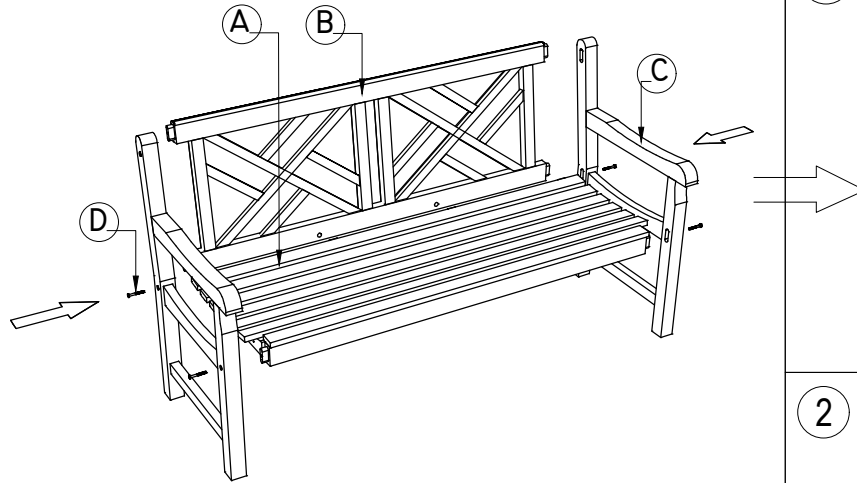


1 Pc

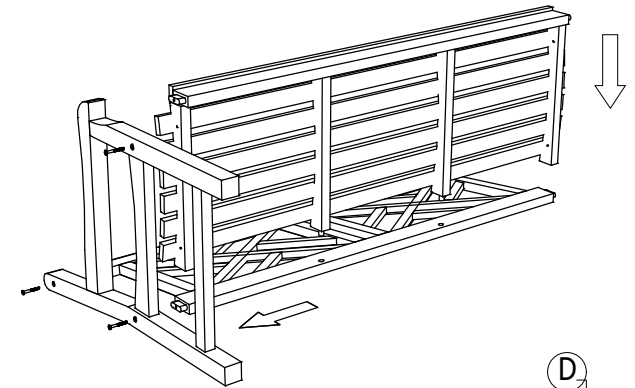
F. Screw



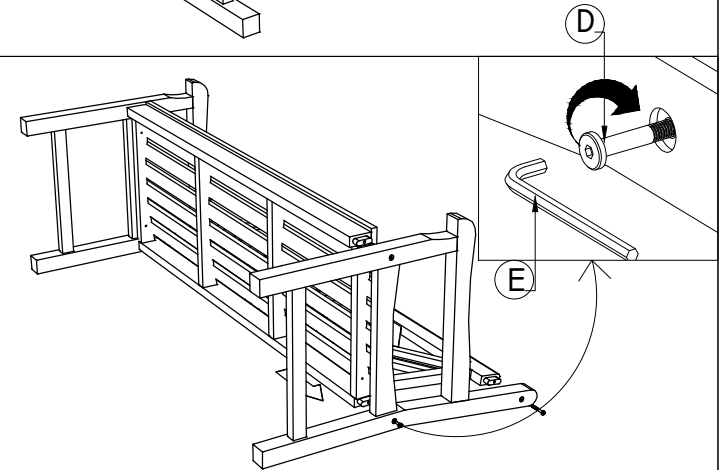
4 Pcs



1



2



3

